

# FEKA VS

SUBMERSIBLE PUMPS FOR WASTEWATER AND RAINWATER







### TECHNICAL DATA

**Flow rate:** 3 m<sup>3</sup>h to 39 m<sup>3</sup>h  
**Head:** 17 m  
**Pumped liquid:** sewage and general wastewater, non-aggressive  
**Free passage:** 50 mm  
**Liquid temperature range:**  
 0°C to +35°C for domestic use  
 0°C to +50°C for other uses  
**Outlet Threaded:** 2" GAS  
**Delivery direction:** horizontal  
**Impeller:** stainless steel Vortex  
**Protection degree:** IP 68  
**Thermal classification of motor insulation:** F  
**Power cable:** H07RN-F  
**Possible installation types:** fixed or portable in vertical position  
**Maximum immersion:** 7 metres

Submersible pumps designed for domestic/residential and commercial applications, made entirely from stainless steel and suited to lifting solids-laden and waste water containing solid matter measuring up to 50 mm in diameter. With their hydraulics fine-tuned for purpose, we have achieved an overall increase in efficiency, resulting in reduced consumption for the same performance and reliability.

### CONSTRUCTION FEATURES OF THE PUMP

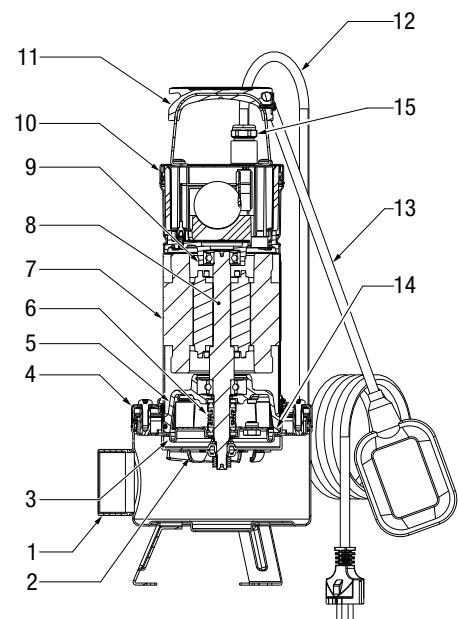
The vortex impeller is made from stainless steel; there is a double mechanical seal with an oil chamber (non-toxic oil) between the two seals, which are made from carbon/alumina on the motor side and silicon carbide/silicon carbide on the pump side. The seal holder cover, motor housing, pump casing, cap and handle are all made from stainless steel. The handle is covered in insulating rubber. Built to Italian standards CEI 2-3 and CEI 61-69 (EN 60335-2-41). The maximum ambient temperature for operating FEKA VS is +40°C with the motor out of the fluid.

### CONSTRUCTION FEATURES OF THE MOTOR

The asynchronous dry motor is watertight and cooled by the fluid being pumped. The rotor is mounted on lifetime-greased oversized ball bearings selected for quiet running and longevity. The motor shaft is made from AISI 316 stainless steel. Thermal overcurrent protection comes as standard on the single-phase version.

## MATERIALS

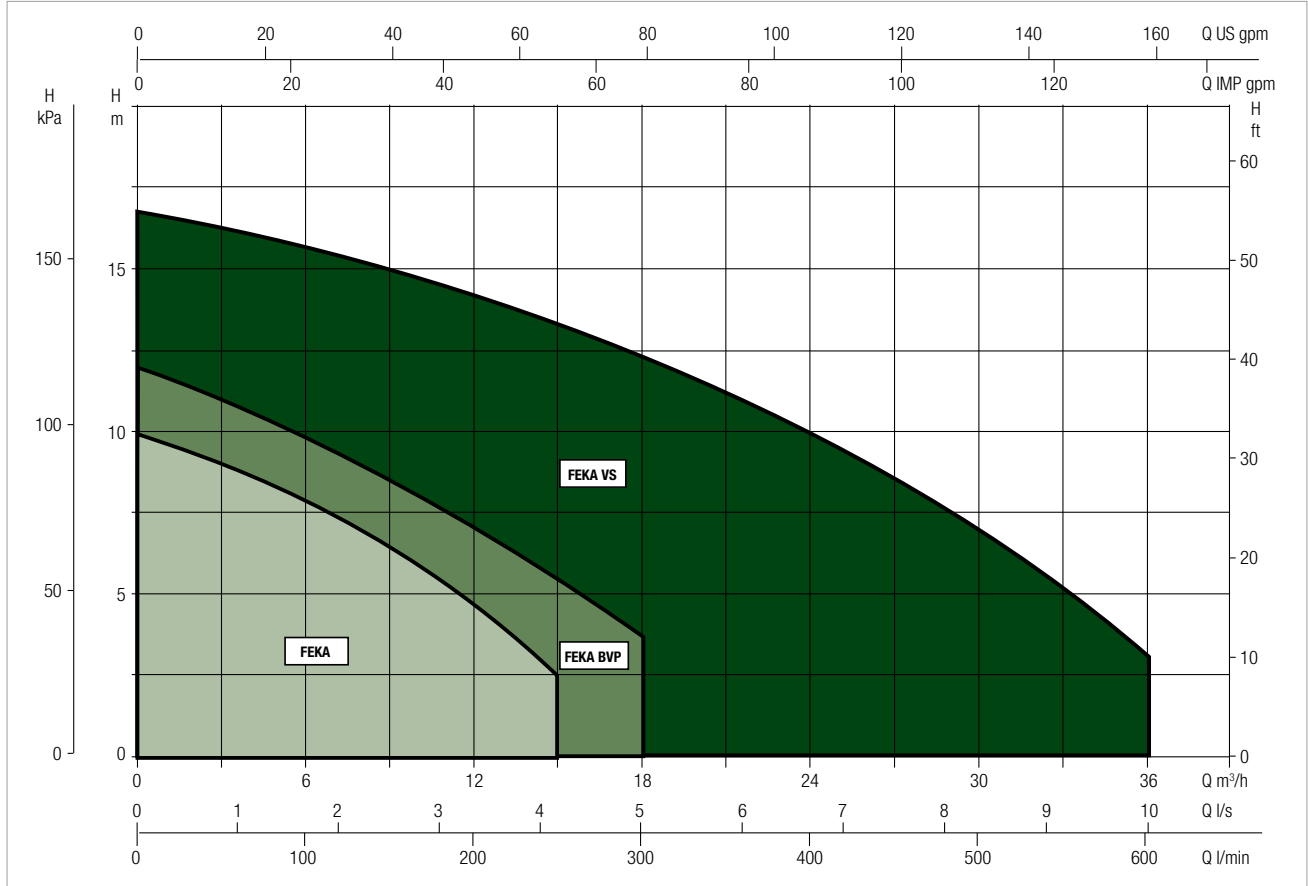
N°	PARTS	MATERIALS	
1	PUMP HOUSING	STAINLESS STEEL AISI 304	
2	IMPELLER	STAINLESS STEEL AISI 304	
3	SHAFT SEAL DISC	STAINLESS STEEL AISI 304	
4	MOTOR CONNECTION FLANGE	STAINLESS STEEL AISI 304	
5	LOWER BEARING SUPPORT	ALUMINUM	
6	DOUBLE MECHANICAL SEAL	PUMP SIDE	SIC / SIC
		MOTOR SIDE	CARBON / ALUMINA
7	MOTOR CASE	STAINLESS STEEL AISI 304	
8	MOTOR SHAFT	PUMP SIDE	STAINLESS STEEL AISI 316
		MOTOR SIDE	STEEL C10
9	UPPER BEARING SUPPORT	ALUMINUM	
10	COVER CONNECTION	STAINLESS STEEL AISI 304	
11	HANDLE	STAINLESS STEEL AND INSULATING RUBBER	
12	SUPPLY CABLE	H07RN-F	
13	FLOAT SWITCH CABLE	H07RN-F	
14	O-RINGS	NBR	
15	CABLE GLAND	NICHEL-PLATED BRASS	



### PERFORMANCE RANGE

The performance curves are based on kinematic viscosity values = 1 mm<sup>2</sup>/s and density equal to 1000 kg/m<sup>3</sup>. Curve tolerance according to ISO 9906.

#### GRAPHIC SELECTION TABLE

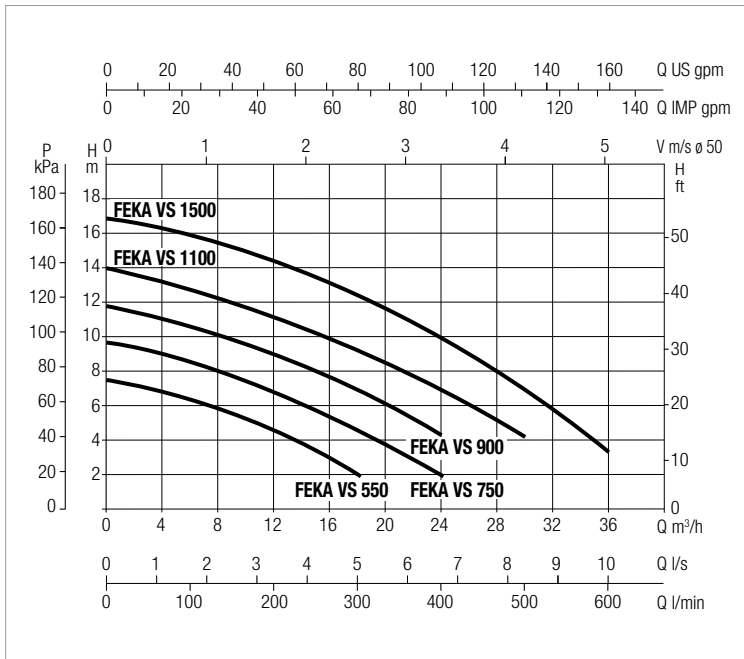
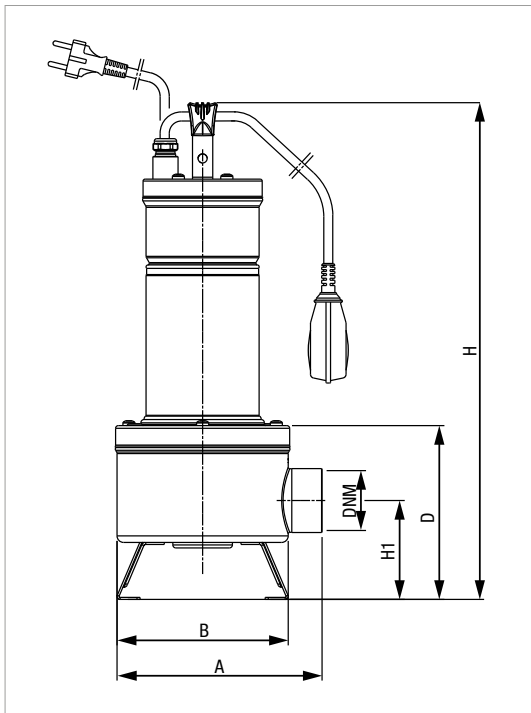


### SELECTION TABLE - FEKA VS

MODEL	Q=m <sup>3</sup> /h	0	3	6	9	12	15	18	24	30	36
	Q=l/min	0	50	100	150	200	250	300	400	500	600
FEKA VS 550	H (m)	7,8	6,9	6,2	5,6	4,1	3,2	1,8			
FEKA VS 750		9,6	9,2	8,5	7,6	6,7	5,6	4,3	1,9		
FEKA VS 900		11,8	11,3	10,5	9,8	9	8	6,8	4,1		
FEKA VS 1100		14	13,4	12,8	12	11,2	10,1	9	6,7	4	
FEKA VS 1500		17	16	15,4	15,1	14,5	13,3	12,4	10,43	6,8	3,1

# FEKA VS - SUBMERSIBLE PUMPS FOR WASTEWATER AND RAINWATER

Liquid temperature range: from 0°C to +35°C for domestic use (EN 60335-2-41) - from 0°C to +50°C for the other uses.



The performance curves are based on kinematic viscosity values = 1 mm²/s and density equal to 1000 kg/m³. Curve tolerance according to ISO 9906.

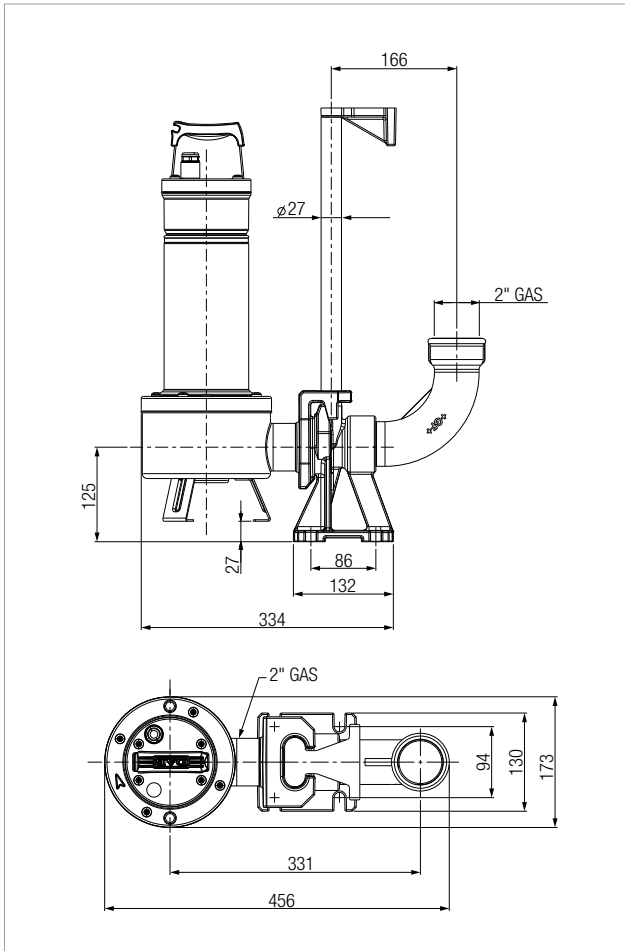
MODEL	ELECTRICAL DATA				
	POWER INPUT 50 Hz	P1 MAX kW	P2 NOMINAL		In A
			kW	HP	
FEKA VS 550 A	1X220 - 240V~	0,9	0,55	0,75	4,1
FEKA VS 550	1X220 - 240V~	0,9	0,55	0,75	4,1
FEKA VS 550	3X400V~	0,9	0,55	0,75	1,8
FEKA VS 750 A	1X220 - 240V~	1,1	0,7	0,95	4,8
FEKA VS 750	1X220 - 240V~	1,1	0,7	0,95	4,8
FEKA VS 750	3X400V~	1,1	0,7	0,95	2
FEKA VS 900 A	1X220 - 240V~	1,35	0,9	1,22	6,3
FEKA VS 900	1X220 - 240V~	1,35	0,9	1,22	6,3
FEKA VS 900	3X400V~	1,35	0,9	1,22	2,6
FEKA VS 1100 A	1X220 - 240V~	1,6	1,1	1,5	7,3
FEKA VS 1100	1X220 - 240V~	1,6	1,1	1,5	7,3
FEKA VS 1100	3X400V~	1,6	1,1	1,5	2,9
FEKA VS 1500 A	1X220 - 240V~	2	1,5	2	9,1
FEKA VS 1500 A	1X220 - 240V~	2	1,5	2	9,1
FEKA VS 1500 A	3X400V~	2	1,5	2	3,8

MODEL	A	B	D	H	H1	PACKING DIMENSIONS			WEIGHT Kg
						LA	LB	H	
FEKA VS 550	203	170	172	475	98	560	235	215	12,5
FEKA VS 750	203	170	172	475	98	560	235	215	12,5
FEKA VS 900	203	170	172	515	98	620	235	215	15,6
FEKA VS 1100	203	170	172	515	98	620	235	215	15,6
FEKA VS 1500	203	170	172	535	98	620	235	215	16,7

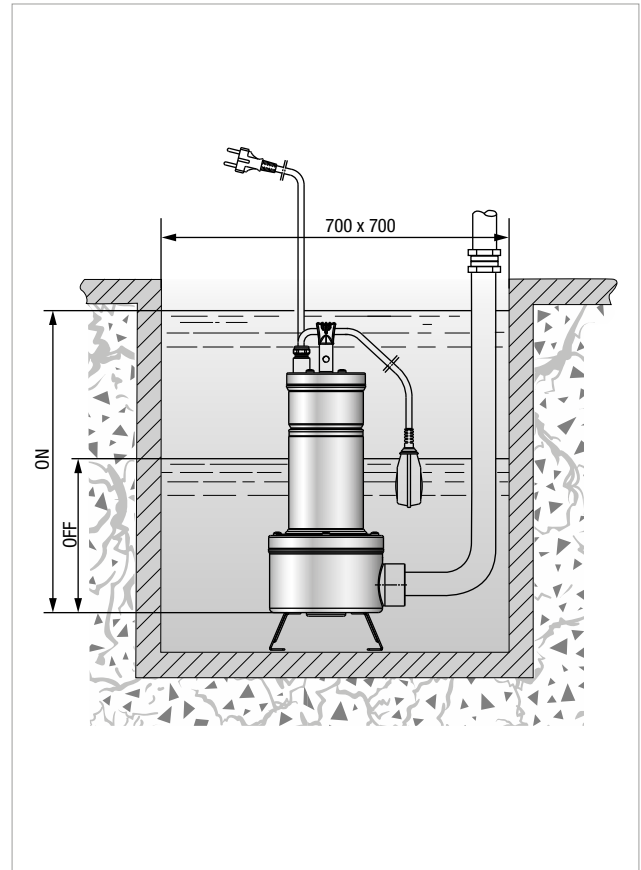
# FEKA VS - SUBMERSIBLE PUMPS FOR WASTEWATER AND RAINWATER

Liquid temperature range: from 0°C to +35°C for domestic use (EN 60335-2-41) - from 0°C to +50°C for the other uses.

## FIXED INSTALLATION



## PORTABLE INSTALLATION



FEKA VS 550-750	ON 425 mm	OFF 360 mm
FEKA VS 900-1100	ON 480 mm	OFF 400 mm
FEKA VS 1500	ON 480 mm	OFF 400 mm



**DAB**  
PUMPS SELECTOR



On-line product selection



**DAB PUMPS LTD.**  
Unit 6 Gilberd Court  
Newcomen Way, Severalls Park  
CO4 9WN  
Colchester  
ordersuk@dwtgroup.com  
Tel. +44 0333 777 5010



**DAB PUMPS IBERICA S.L.**  
Calle Verano 18-20-22  
28850 - Torrejón de Ardoz - Madrid  
Spain  
Info.spain@dwtgroup.com  
Tel. +34 91 6569545



**DAB PUMPS DE MÉXICO, S.A. DE C.V.**  
Av Amsterdam 101 Local 4  
Col. Hipódromo Condesa,  
Del. Cuauhtémoc CP 06170  
Ciudad de México  
Tel. +52 55 553 2621



**DAB PUMPS BV**  
"Hofveld 6 C1  
1702 Groot Bijgaarden - Belgium  
info.belgium@dwtgroup.com  
Tel. +32 2 4668353



**DAB PUMPS HUNGARY KFT.**  
H-8800  
Nagykanizsa, Buda Ernő u.5  
Hungary  
Tel. +36 93501700



**DAB PUMPS SOUTH AFRICA (PTY) LTD**  
Twenty One industrial Estate,  
16 Purlin Street, Unit B, Warehouse 4  
Olifantsfontein -1667 - South Africa  
info.sa@dwtgroup.com  
Tel. +27 12 361 3997



**DAB PUMPS B.V.**  
Statenlaan, 4  
5223 LA, 's-Hertogenbosch  
Nederland  
info.nl@dabpumps.com  
Tel. +31 416 387280



**DAB PUMPS POLAND Sp. z o.o.**  
Ul. Janka Muzykanta 60  
02188 Warszawa - Poland  
sprzedaz@dabpumps.com.pl



**DAB PUMPS (QINGDAO) CO. LTD.**  
No.10 Xindong Road  
Jiulong Town,  
Jiaozhou City  
266319 Qingdao (Shandong) - China  
sales.cn@dwtgroup.com  
Tel. +86 400 186 8280



**DAB PUMPS FRANCE SAS**  
Tour Ariane, Paris la Défense 9  
5, Place de la Pyramide  
92800 Puteaux - France  
info.fr@dabpumps.com  
Tel. +33 (0)6 79 63 05 46  
+33 (0)7 89 01 53 35



**DAB PUMPS INC.**  
3226 Benchmark Drive  
Ladson, SC 29456 - USA  
info.usa@dwtgroup.com  
Tel. 1- 843-797-5002  
Fax 1-843-797-3366



**DAB PUMPS OCEANIA PTY LTD**  
426 South Gippsland Highway,  
Dandenong South VIC 3175 - Australia  
info.oceania@dwtgroup.com  
Tel. +61 1300 378 677



**DAB PUMPS GMBH**  
Am Nordpark 3  
D - 41069 Mönchengladbach - Germany  
info.germany@dwtgroup.com  
Tel. +49 2161 47388-0  
Fax +49 2161 47388-36



**DAB PUMPS CANADA INC.**  
333 Bay Street, Suite 4600, Toronto,  
Ontario, M5H 2S5, - Canada  
orders@dwtgroup.ca  
Tel. 1-833-322-7867



**PT DAB PUMPS INDONESIA**  
Satrio Tower lantai 26  
unit C-D, Jl. Prof. Dr. Satrio Kav. C4,  
Kel. Kuningan Timur, Kec. Setiabudi, Kota Adm.  
Jakarta Selatan, Prov. DKI Jakarta. - Indonesia  
Tel. +62 2129222850